

## FLAMEPROOF

# EPKZM Series - Circuit breaker enclosure - Copper-free aluminium



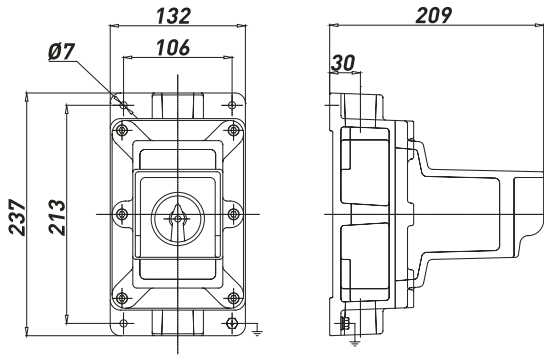
- EPKZM Series enclosures are designed to house motor protector circuit breakers up to 63A.
- Made of copper-free aluminium, EPKZM are suitable for indoor and outdoor plants

## TECHNICAL FEATURES

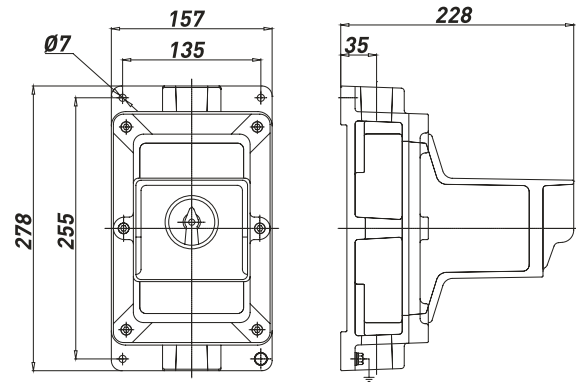
<b>Material</b>	Copper-free aluminium
<b>IP rating</b>	IP66/IP67
<b>Ambient temperature range</b>	-30°C to +55°C
<b>Approvals</b>	ATEX: 02ATEX0027X EAC: RU C-IT.BH02.B.00588/20
<b>Marking</b>	II 2 GD Ex d IIB T6 Gb Ex tb IIIC T85°C Db IP66/67
<b>Surface treatment</b>	Polyurethane painting cycle - Blue RAL5014 (other colour available upon request)
<b>Thread</b>	N° 2 entries Metric pitch 1.5, ANSI B1.20.1 NPT
<b>Standard certificate label</b>	Made by self adhesive UV and corrosion resistant polyester, approved by certified Laboratory.
<b>Optional accessories</b>	Internal anticondensate painting Traffolyte/Stainless steel certificate label Hot deep galvanized steel or Stainless Steel AISI316 stand/canopy.

## Dimensions EPKZM

TAB-A



TAB-B



## EPKZM-3

## EPKZM-4

### EPKZM Series enclosures - Standard versions\*

TYPE	CODE	ENTRIES	WEIGHT [Kg]	DRAWING
EPKZM-3 - GREY/BLACK HANDLE 55X55	B012104010004	2 X M32	3.25	TAB-A
EPKZM-3 - SRC BLACK HANDLE	B012104010006	2 X M32	3.25	TAB-A
EPKZM-4 - YELLOW/RED HANDLE 72X72	B012104010008	2 X M32	4.60	TAB-B
EPKZM-4 - SRC BLACK HANDLE	B012104010010	2 X M32	4.60	TAB-B
EPKZM-3 - GREY/BLACK HANDLE 55X55	B012104010005	2 X 1"NPT	3.25	TAB-A
EPKZM-3 - SRC BLACK HANDLE	B012104010007	2 X 1"NPT	3.25	TAB-A
EPKZM-4 - YELLOW/RED HANDLE 72X72	B012104010009	2 X 1"NPT	4.60	TAB-B
EPKZM-4 - SRC BLACK HANDLE	B012104010011	2 X 1"NPT	4.60	TAB-B

Above codes refer to empty enclosures. For complete motor protector circuit breakers, ask to our Sales Dept.

\*Standard enclosures EPKZM Series are supplied ATEX/TR-CU certified. For IECEx certificate, ask to our Sales Dept.

\*Standard enclosures EPKZM Series are supplied painted. Standard painting cycle: C4 - Colour: Blue RAL5014 (Other colours upon request)