

INCREASED SAFETY

EFE Series - GRP



Push button stations EFE Series, made of GRP, are manufactured by using enclosure AQ../AR.. Series.

They are designed to meet the requirements for use ON and OFF-SHORE, in petrochemical and marine applications and for any other industry where an explosive atmosphere may be present.

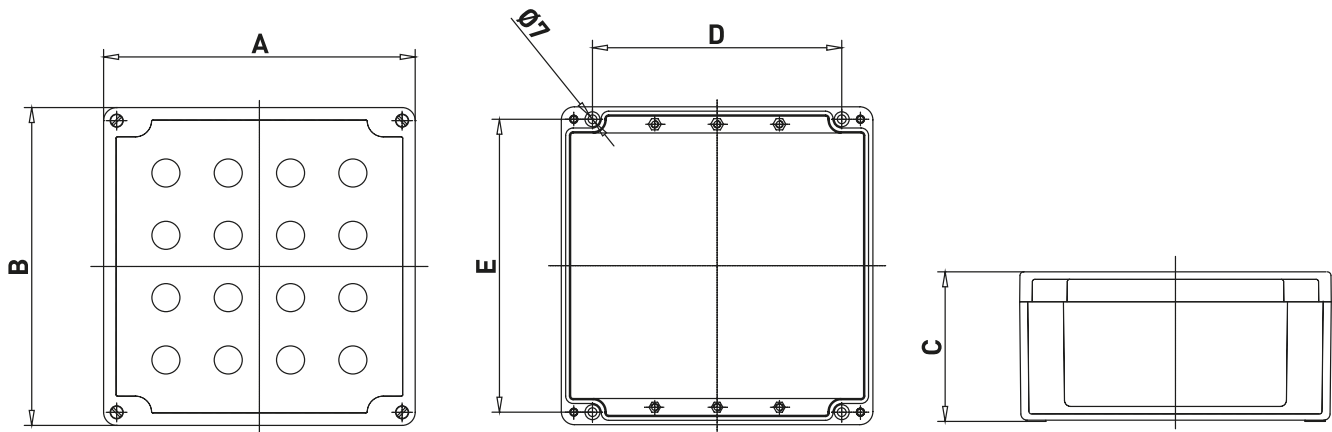
They can be equipped with following Ex de certified components:

- Standard and emergency push buttons;
- Rotating switches;
- Signalling lamps;
- Measurement instruments.

TECHNICAL FEATURES

| | |
|-----------------------------------|--|
| Material | GRP (Glassfiber reinforced polyester) |
| IP rating | IP65/IP66 |
| Ambient temperature range | -50°C to +60°C (ATEX) -50°C to +95°C (IECEX) |
| Approvals | ATEX: IMQ 08 ATEX 028X IECEX IMQ 15.0002X EAC: RU C-IT.BH02.B.00593/20 |
| Marking | II 2 GD Ex de IIC T(**) Gb/Ex mb IIC T(**) Gb Ex tb IIIC T(**) Db IP65/66 ** T6/T85°C, T5/T100°C, T4/T135°C |
| Standard certificate label | Made by self adhesive UV and corrosion resistant polyester, approved by certified Laboratory. |
| Optional accessories | Hinges Drain/breather valve Traffolyte/Stainless steel certificate label Internal mounting plate Earth continuity plates Passing through earth bolt |

Dimensions EFE



EFE Series - GRP push button stations

| TYPE | DIMENSIONS [mm] | | | | | WEIGHT [Kg] |
|------------|-----------------|-----|-----|-----|-----|-------------|
| | A | B | C | D | E | |
| EFE-080806 | 75 | 80 | 55 | 45 | 48 | 0,23 |
| EFE-081106 | 80 | 110 | 60 | 45 | 98 | 0,29 |
| EFE-121209 | 120 | 120 | 90 | 82 | 106 | 0,75 |
| EFE-122209 | 120 | 220 | 90 | 82 | 204 | 1,06 |
| EFE-161609 | 160 | 160 | 90 | 110 | 140 | 1,29 |
| EFE-162609 | 160 | 260 | 90 | 110 | 240 | 1,71 |
| EFE-163609 | 160 | 360 | 90 | 110 | 340 | 2,15 |
| EFE-252612 | 250 | 260 | 120 | 200 | 235 | 2,65 |
| EFE-252616 | 250 | 260 | 160 | 200 | 235 | 2,85 |
| EFE-254012 | 250 | 400 | 120 | 200 | 380 | 3,65 |
| EFE-254016 | 250 | 400 | 160 | 200 | 380 | 3,85 |
| EFE-256012 | 250 | 600 | 120 | 200 | 580 | 5,23 |
| EFE-414012 | 410 | 400 | 120 | 355 | 380 | 5,58 |
| EFE-406025 | 400 | 600 | 250 | 350 | 580 | 6,15 |

For complete push button stations contact our Sales Dept.

Maximum number of entries on sides

| TYPE | M20/1/2" | | M25/3/4" | | M32/1" | | M40/1" 1/4 | | M50/1" 1/2 | | M63/2" | |
|------------|----------|----|----------|----|--------|----|------------|---|------------|---|--------|---|
| | A | B | A | B | A | B | A | B | A | B | A | B |
| EFE-080806 | 1 | 1 | - | 1 | - | - | - | - | - | - | - | - |
| EFE-081106 | 1 | 2 | - | 2 | - | - | - | - | - | - | - | - |
| EFE-121209 | 2 | 2 | 1 | 2 | 1 | 1 | 1 | 1 | - | - | - | - |
| EFE-122209 | 2 | 5 | 1 | 4 | 1 | 3 | 1 | 3 | - | - | - | - |
| EFE-161609 | 3 | 3 | 2 | 3 | 1 | 2 | 1 | 1 | - | - | - | - |
| EFE-162609 | 3 | 5 | 2 | 5 | 1 | 4 | 1 | 3 | - | 3 | - | - |
| EFE-163609 | 3 | 8 | 2 | 7 | 1 | 6 | 1 | 5 | - | 4 | - | - |
| EFE-252612 | 8 | 10 | 8 | 10 | 3 | 7 | 3 | 4 | 2 | 3 | 2 | 2 |
| EFE-252616 | 8 | 10 | 8 | 10 | 3 | 7 | 3 | 4 | 2 | 3 | 2 | 2 |
| EFE-254012 | 8 | 18 | 8 | 16 | 3 | 5 | 3 | 5 | 3 | 5 | 2 | 4 |
| EFE-254016 | 8 | 18 | 8 | 16 | 3 | 5 | 3 | 5 | 3 | 5 | 2 | 4 |
| EFE-256012 | 8 | 25 | 8 | 24 | 3 | 10 | 3 | 8 | 2 | 6 | 2 | 6 |
| EFE-414012 | 16 | 18 | 6 | 14 | 5 | 6 | 5 | 5 | 4 | 5 | 3 | 6 |
| EFE-406025 | 15 | 25 | 5 | 24 | 4 | 10 | 4 | 8 | 3 | 6 | 2 | 4 |