

INCREASED SAFETY

AQ../AR.. Series - Copper free aluminium low thickness

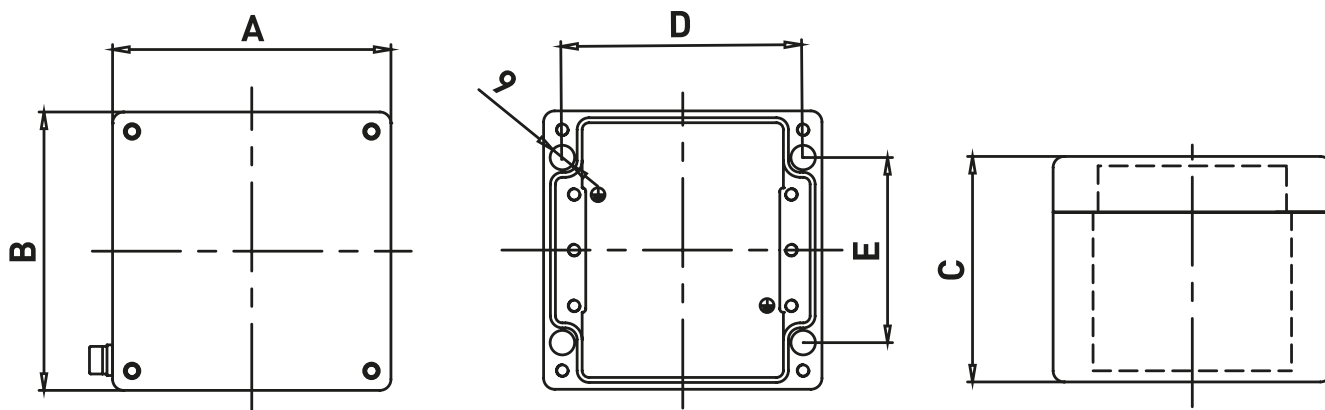


- AQ../AR.. Series enclosures are ideally suited for chemical and petrochemical environments;
- Made of copper-free aluminium, AQ../AR.. enclosures guaranteed high resistance to sea water corrosion and can withstand the harshest temperatures;
- Used to house Ex e and Ex i terminals. Maximum number of terminals changes according to: terminals section, enclosure operating temperature and required temperature class.

TECHNICAL FEATURES

Material	Copper-free aluminium								
IP rating	IP66								
Ambient temperature range	-50°C to +60°C (ATEX) -50°C to +60°C (IECEX - up to +95°C for some "special" models)								
Approvals	<table border="0"> <tr> <td><u>Full Conformity Certificate:</u></td> <td><u>Component Certificate:</u></td> </tr> <tr> <td>ATEX: IMQ 08 ATEX 028X</td> <td>ATEX: IMQ 16 ATEX 004U</td> </tr> <tr> <td>IECEX: IMQ 15.0002X</td> <td>IECEX: IMQ 15.0010U</td> </tr> <tr> <td>EAC: RU C-IT.BH02.B.00593/20</td> <td>EAC: RU C-IT.BH02.B.00593/20</td> </tr> </table>	<u>Full Conformity Certificate:</u>	<u>Component Certificate:</u>	ATEX: IMQ 08 ATEX 028X	ATEX: IMQ 16 ATEX 004U	IECEX: IMQ 15.0002X	IECEX: IMQ 15.0010U	EAC: RU C-IT.BH02.B.00593/20	EAC: RU C-IT.BH02.B.00593/20
<u>Full Conformity Certificate:</u>	<u>Component Certificate:</u>								
ATEX: IMQ 08 ATEX 028X	ATEX: IMQ 16 ATEX 004U								
IECEX: IMQ 15.0002X	IECEX: IMQ 15.0010U								
EAC: RU C-IT.BH02.B.00593/20	EAC: RU C-IT.BH02.B.00593/20								
Marking	<p>II 2 GD Ex e IIC Gb/Ex ia Ga IIC T(**) Ex tb IIIC T(**) Db IP66 ** T6/T85°C, T5/T100°C, T4/T135°C</p>								
Standard certificate label	Made by self adhesive UV and corrosion resistant polyester, approved by certified Laboratory.								
Surface treatment	Standard: polyester powder coating RAL7001								
Optional accessories	<p>Hinges Drain/breather valve Traffolyte/Stainless steel certificate label Internal mounting plate Earth continuity plates Passing through earth bolt</p>								

Dimensions AQ../AR..



AQ../AR.. Series - Junction boxes - Standard versions*

TYPE	CODE	DIMENSIONS [mm]					WEIGHT [Kg]
		A	B	C	D	E	
AQ-080806AL	B011044010001	80	80	60	52	63	0,30
AQ-121208AL	B011044010003	120	120	80	83	106	0,94
AQ-121209AL	B011044010009	120	120	90	83	106	1,00
AR-122209AL	B011034010005	120	220	90	83	204	1,43
AQ-161609AL	B011044010005	160	160	90	110	140	1,50
AR-162609AL	B011034010007	160	260	90	110	240	1,78
AQ-181810AL	B011044010006	180	180	100	130	160	1,68
AR-202311AL	B011034010010	200	230	110	150	200	2,44
AR-232811AL	B011034010019	230	280	110	180	260	2,99
AR-233312AL	B011034010013	230	330	120	180	305	3,15
AR-233318AL	B011034010014	230	330	180	180	305	3,21
AR-234011AL	B011034010021	230	400	110	180	380	3,23
AR-314011AL	B011034010020	310	400	110	260	380	3,29
AR-314014AL	B011034010023	310	400	140	260	380	3,31
AR-316011AL	B010800S00001	310	600	110	260	580	3,97
AR-316018AL	B011034010024	310	600	180	260	580	4,00
AQ-606020AL	B010800S00002	600	600	200	550	580	4,55

*The codes refer to the empty and undrilled enclosures, sold under component certificate.
For complete junction boxes is necessary to ask to the Sales Office.
Other sizes are available upon request.